

# Large Payloads Robot

# ER150-3200

**EFORT**

ER150-3200 is a large payloads robot.  
Maxium payload 150 kg with maxium reach 3192 mm.

### Highlights

Thanks to the high stiffness structure, with high-speed intelligent palletizing application software, the takt is improved by 20%, bring customers more efficiency;  
Multiple specific application software could be integrated, with soft PLC and a variety of field bus interface, which enable customers easily face various application challenges;  
High performance collision detection function helps safety realization.

### Applications

It can be widely used in handling, machine tending, palletizing and other applications.

### Industries

Suitable for auto parts, photovoltaic, food and beverage, building materials, logistics and warehousing and other industries.

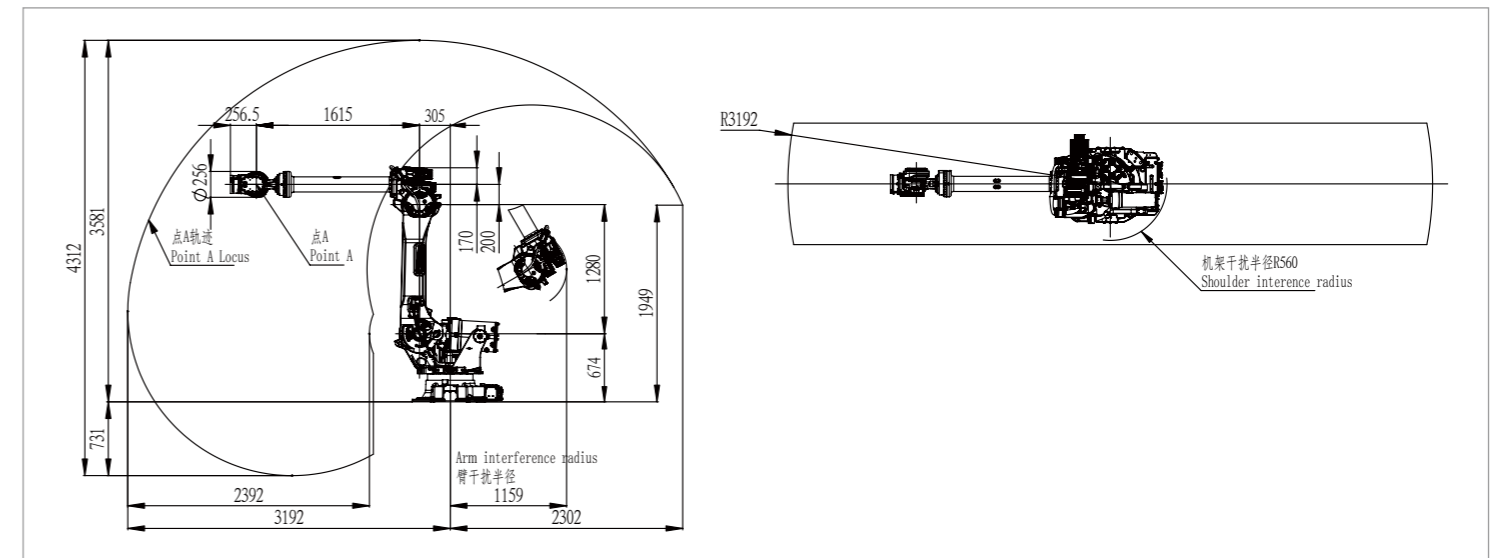


## SPECIFICATIONS

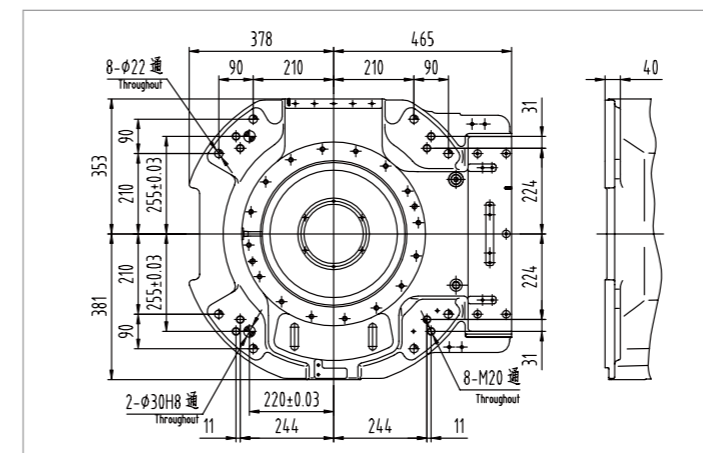
<b>Model</b>	ER150-3200	
<b>Type</b>	Articulated	
<b>Controlled axes</b>	6 Axes	
<b>Max payload at wrist</b>	150 kg	
<b>Repeatability</b>	± 0.2 mm	
<b>Robot weight</b>	1150 kg	
<b>Reach</b>	3192 mm	
<b>Robot IP grade</b>	IP65	
<b>Cabinet IP grade</b>	IP54	
<b>Drive mode</b>	AC servo drive	
<b>Installation</b>	Floor	
<b>Installation enviroment</b>	<b>Ambient temperature</b>	0~45 °C
	<b>Ambient humidity</b>	80% RH/40°C (No dew nor frost allowed)
	<b>Vibration acceleration</b>	4.9 m/s <sup>2</sup> (< 0.5 G)

<b>Allowable load moment at wrist</b>	<b>J4</b>	1337 N · m
	<b>J5</b>	1337 N · m
	<b>J6</b>	720 N · m
<b>Allowable load inertia at wrist</b>	<b>J4</b>	141.1 kg · m <sup>2</sup>
	<b>J5</b>	141.1 kg · m <sup>2</sup>
	<b>J6</b>	79 kg · m <sup>2</sup>
<b>Maximum speed</b>	<b>J1</b>	100°/sec
	<b>J2</b>	90°/sec
	<b>J3</b>	85°/sec
	<b>J4</b>	105°/sec
	<b>J5</b>	100°/sec
	<b>J6</b>	195°/sec
<b>Motion range</b>	<b>J1</b>	± 180°
	<b>J2</b>	+60°/-80°
	<b>J3</b>	+90°/-83°
	<b>J4</b>	± 360°
	<b>J5</b>	± 120°
	<b>J6</b>	± 360°

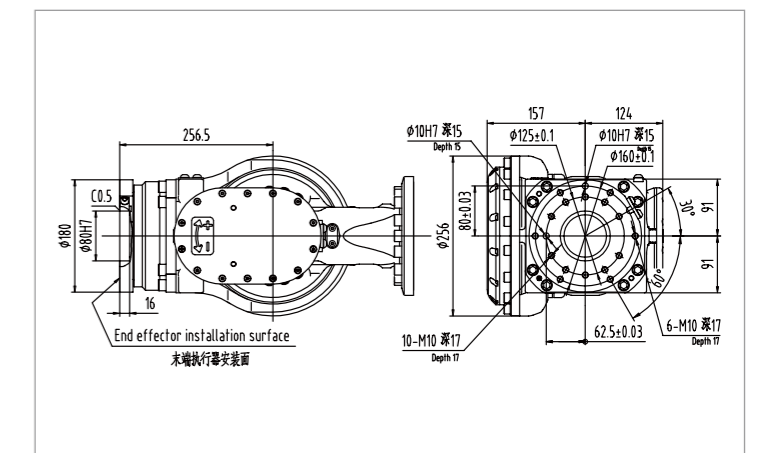
## OPERATING SPACE



## BASE MOUNTING SIZE



## END FLANGE MOUNTING SIZE



EFORT INTELLIGENT EQUIPMENT CO.,LTD.

PHONE: (00 86) 400-052-8877

ADDRESS: No.96 East WanChun Road, JiuJiang Economic Development Zone, Wuhu, Anhui, China

WWW.EFORT.COM.CN